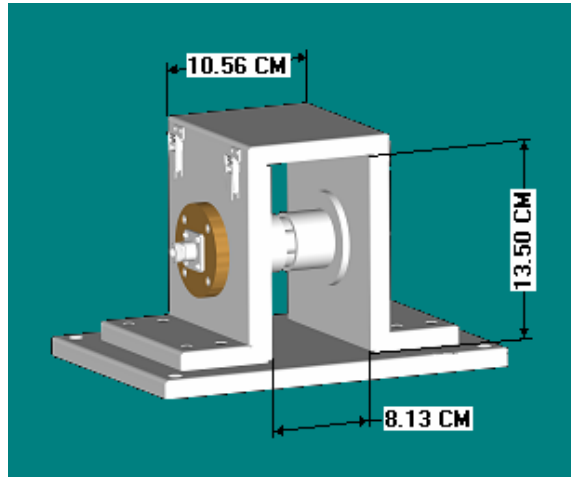




# FISCHER CUSTOM COMMUNICATIONS, INC. CALIBRATION FIXTURE

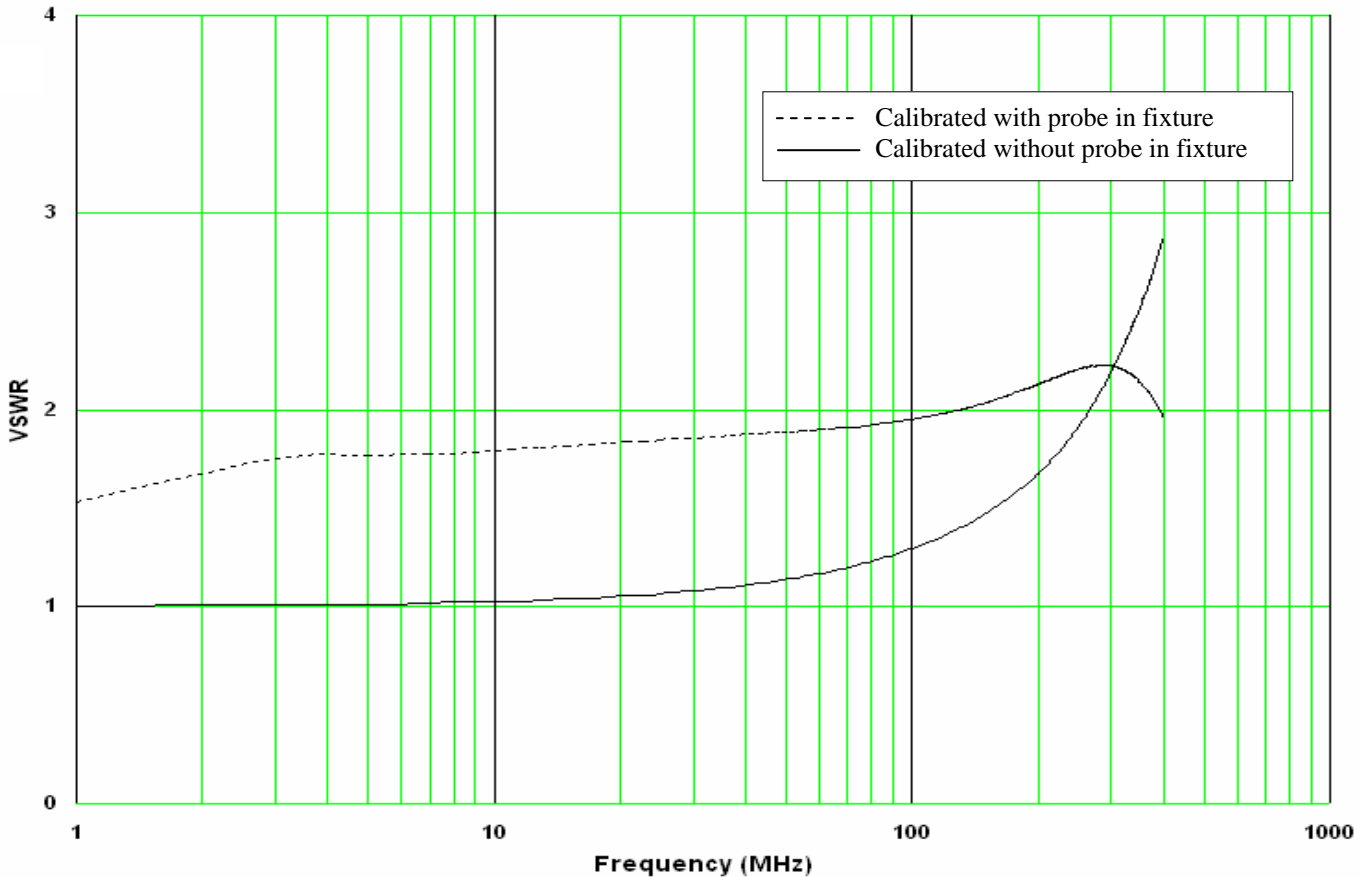
Injection Probe calibration fixtures are a part of the test equipment required by most of the Bulk current Injection Test Procedure Specifications. The FCC-BCICF-1 Calibration Fixture allows the user to quickly and easily calibrate the injection probe prior to performing the compliance testing. It exceeds DO-160, Section 20 VSWR fixture requirements for stand-alone injection probe calibration fixture.

Due to variable circuit impedances or resonances in cables and cable looms, the calibration fixture is used to establish the forward power into the injection probe needed to develop the specified currents in the system under test.



### The FCC-BCICF-1 offers a distinct advantages and benefits.

- Excellent VSWR over a broad bandwidth: <2:1 over the frequency range of 10kHz – 400 MHz when the probe is in fixture.
- Accommodates a wide variety of Bulk Current Injection Probes that operate between 10 kHz – 400 MHz..



FCC-BCICF-1



Fischer Custom Communications, Inc.

20603 Earl St., Torrance, CA 90503 · Phone: 310-303-3300 Fax 310-671-6268 · email: Sales@fischercc.com