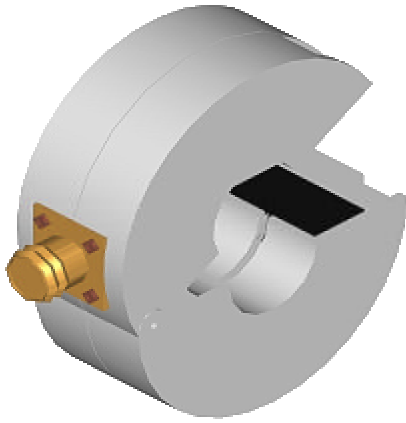
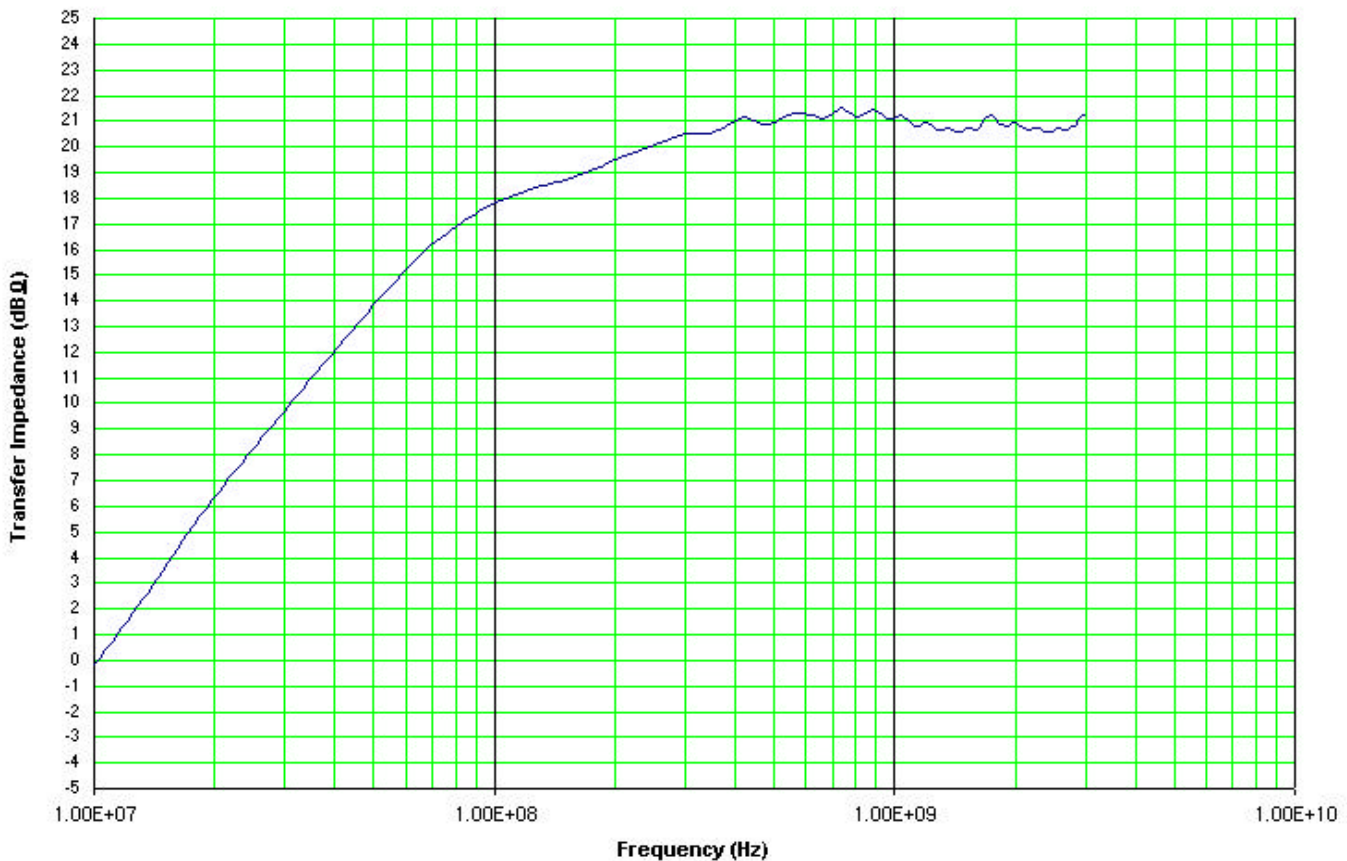


F-2000 CURRENT TRANSFORMER



Specifications

Frequency:	10 MHz – 3 GHz
Z _T W ¹ :	16W
Maximum Peak Current:	100 amperes
Maximum RMS Current:	100 amperes
Drop Rate (%/microsec.):	
IT Max. (amp-sec):	
Useable Risetime	
Low Frequency 3 dB point:	100 MHz
High Frequency 3 dB point:	3 GHz
Internal Diameter:	13MM
Outer Diameter:	37MM
Height:	17MM
Output Connector:	Type-SMA



F-2000



20603 Earl St., Torrance, CA 90503 Phone: (310) 303-3300 • Fax (310) 371-6268
E-mail: Sales@Fischercc.com • www.fischercc.com